

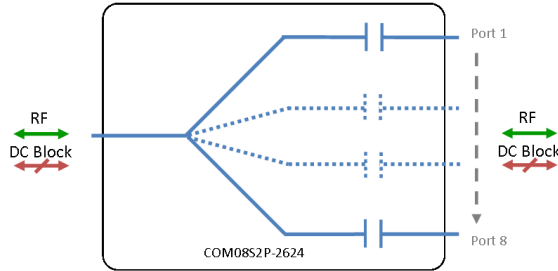


RF Components

Model Number:  
**COM08S1P-2624**

# 8-Way S-Band Passive Splitter/Combiner

**500 - 2750 MHz**



- All RF ports DC blocked
- Available with RF connector options:
- 50 Ω SMA
  - 50 Ω N-type



**500 - 2750 MHz**  
Operating frequency range. S-Band ready

**Compact**  
Housed in rugged compact enclosure

**Flexible Mounting**  
Tapped screw & through hole mounting options

Passive

RF Parameters		
COM08S1P-2624-XXXX	S5S5	N5N5
Frequency Range	500 - 2750 MHz	
RF Connectors	50Ω SMA	50Ω N-Type
Insertion Loss (dB)	Typ.	1.5
	Max.	3.5
Flatness ± (dB)	1.5	1.5
Input Return Loss (dB)	Typ.	15
	Min	12
Output Return Loss (dB)	Typ.	15
	Min	12
Isolation (dB)	Typ.	18
Amplitude Balance (dB)	0.3	0.5
Phase Balance (Φ)	3°	4°

The given Insertion Loss specified is the loss above the theoretical limit for a lossless divider  
10MHz Insertion Loss is up to 5dB above the theoretical loss\*  
\*To ports which are applicable

## Broadcast



## Marine Oil & Gas



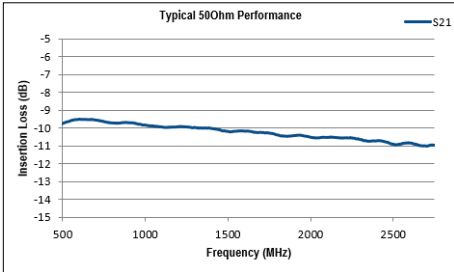
## SNG & VSAT



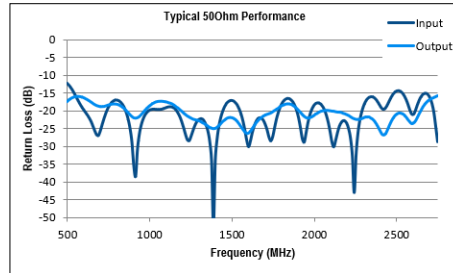
## Satellite Teleport



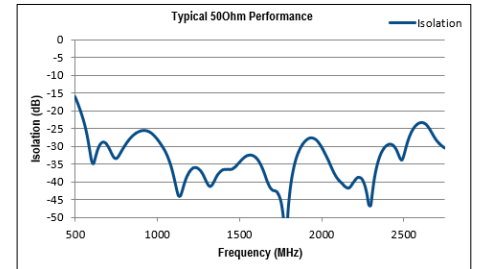
### Technical specifications and operating parameters



Insertion Loss (dB)



Return Loss (dB)



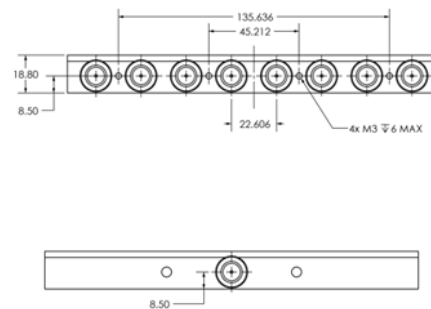
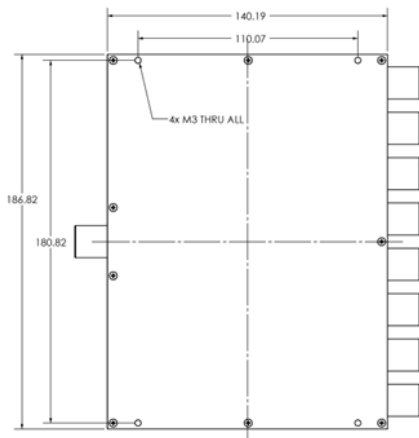
Isolation (dB)

Environmental	
Operating Temperature	0°C to +45°C
Storage Temperature	-20°C to +75°C
Location	Indoor use Only
Humidity	Max. 85% non-condensing
Altitude	Max. 10,000 feet

Max Operating Parameters	
Input RF Power as Splitter	+37 dBm (5 W)
Input RF Power as Combiner	+27 dBm (0.5 W)
DC Voltage	35V on any RF port
DC Current	N/A

**!** Operation beyond these limits may cause instantaneous and permanent damage.

### Physical Dimensions (mm)



Note: The specification is subject to regular reviews and will be updated from time to time as part of our continuing product development and improved specification accuracy.