

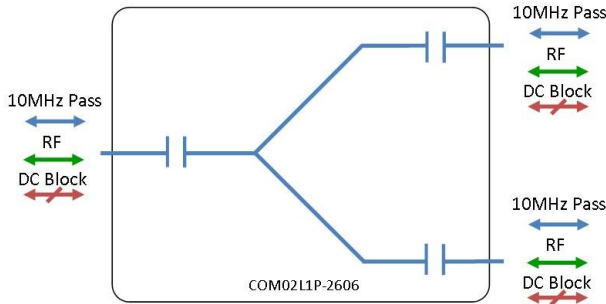


Model Number:  
**COM02L1P-2606**

RF Components

# 2-Way L-Band Passive Splitter/Combiner

## 850 - 2450MHz



- DC blocked on all RF ports
- 10MHz pass on all RF ports

Available with RF connector options:

- 50 Ω SMA
- 50 Ω N-type
- 50 Ω BNC
- 75 Ω BNC
- 75 Ω F-type



**850-2450 MHz**  
Operating frequency range. L-Band ready



### Compact

Housed in rugged compact enclosure



### Flexible Mounting

Tapped screw & through hole mounting options

RF Parameters					
COM02L1P-2606-xxxx	S5S5	N5N5	B5B5	B7B7	F7F7
Frequency Range	850-2450MHz				
RF Connectors	50Ω SMA	50Ω N-Type	50Ω BNC	75Ω BNC	75Ω F-Type
Mean Insertion Loss (dB)	0.4 ± 0.2	0.4 ± 0.2	0.4 ± 0.2	0.4 ± 0.2	0.4 ± 0.2
Flatness (dB)	0.25	0.25	0.25	0.25	0.25
Input Return Loss (dB)	Typ.	20	20	20	20
	Min.	16	16	16	16
Output Return Loss (dB)	Typ.	26	26	26	26
	Min.	18	18	18	18
Isolation (dB)	Typ.	25	25	25	25
	Min.	20	20	20	20
Amplitude Balance (dB)	≤0.2	≤0.2	≤0.2	≤0.5	≤0.5
Phase Balance (Degrees)	≤2°	≤2°	≤2°	≤5°	≤5°

The given Insertion Loss specified is the loss above the theoretical limit for a lossless divider  
 10MHz Insertion Loss is up to 3dB above the theoretical loss\*  
 10MHz Rejection is 20dB\*  
 \*To ports which are applicable

### Broadcast



### Marine Oil & Gas



### SNG & VSAT



### Satellite Teleport

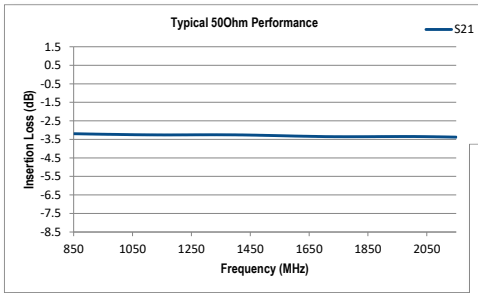




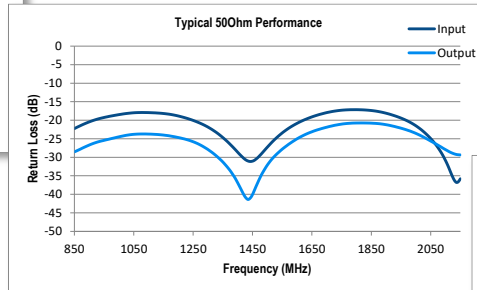
RF Components

Model Number:  
**COM02L1P-2606**

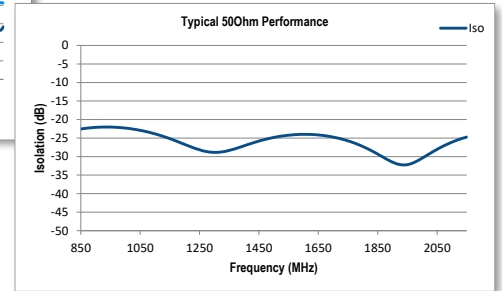
2-Way L-Band Passive Splitter/Combiner



Insertion Loss



Return Loss



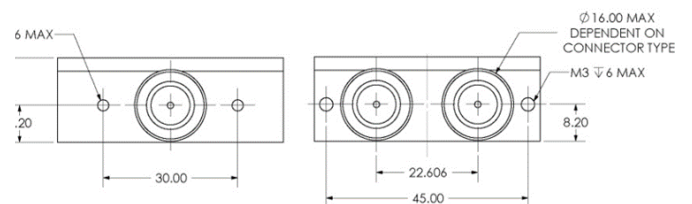
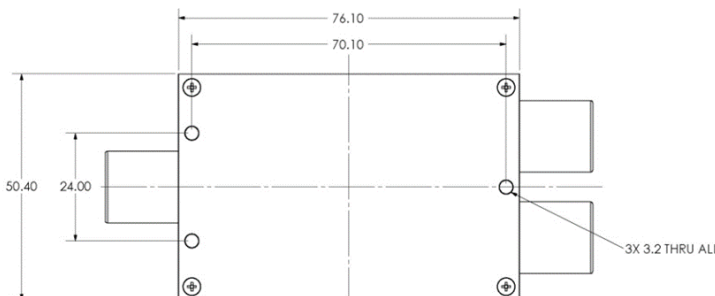
Isolation

Environmental	
Operating Temperature	0°C to +45°C
Storage Temperature	-20°C to +75°C
Location	Indoor use Only
Humidity	Max. 85% non-condensing
Altitude	Max. 10,000 feet

Max Operating Parameters	
Input RF Power into matched load with 20dB return loss	+27dBm (500mW) as combiner +37dBm (5W) as splitter
DC Voltage	35V on any RF port
DC Current	N/A
DC Consumption	N/A

**!** Operation beyond these limits may cause instantaneous and permanent damage.

### Physical Dimensions (mm)



Note: The specification is subject to regular reviews and will be updated from time to time as part of our continuing product development and improved specification accuracy.

ETL SYSTEMS LIMITED  
Coldwell Radio Station  
Madley  
Hereford  
England HR2 9NE

TELEPHONE  
+44 (0)1981 259020  
  
EMAIL  
info@etlsystems.com

FACSIMILE  
+44 (0)1981 259021  
  
WEB  
www.etlsystems.com

